

Referenz-Nr. Order No.	Spannkraft Clamping Force (N)	Hubkraft Lifting Force (N)	 (g)
1489-0840R.06	600	100	220
1489-0840R.06N	700	-	215

0840R.06

0840R.06N

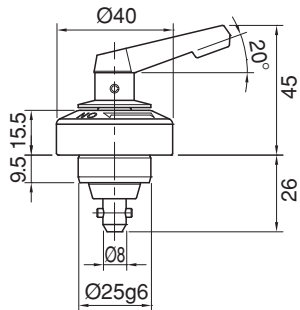
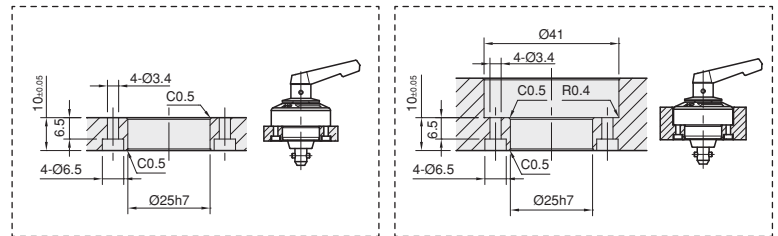
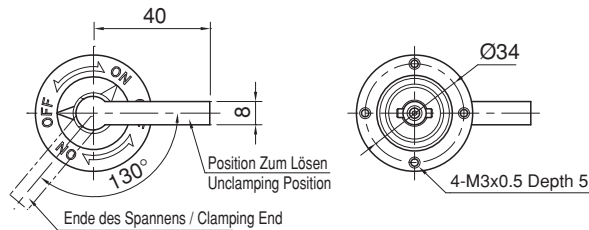


1489

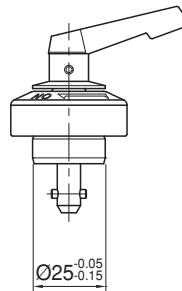
• Schwarz beschichtet

1489

• Black coating



0840R.06



0840R.06N

